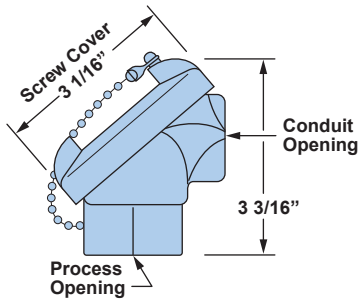
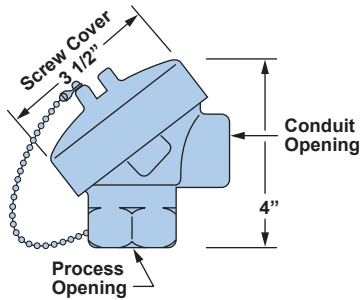


# TERMINAL HEADS & CONNECTOR BLOCKS



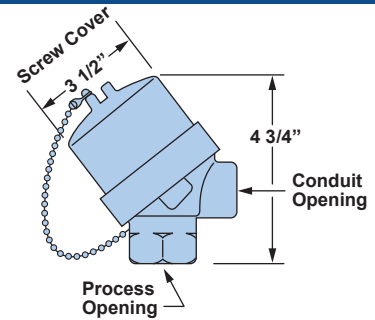
**Standard Weatherproof Heads**  
(Use "162 Series" Ceramic Terminal Blocks)  
Max. number of terminals: 6+Ground.

Part Number <sup>1</sup>	Type	Description
P46*	P	Polypropylene
PW46*	PW	White Polypropylene <sup>2</sup> (FDA Compliant)
Q46*	Q	Aluminum
R46*	R	Cast Iron



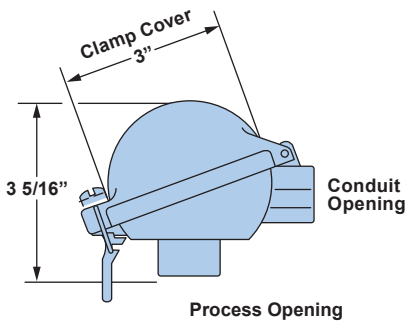
**Large Weatherproof Heads**  
(Use "162 Series" Ceramic Terminal Blocks)  
Max. number of terminals: 6+Ground.

Part Number <sup>1</sup>	Type	Description
A46*	A	Aluminum
C46*	C	Cast Iron



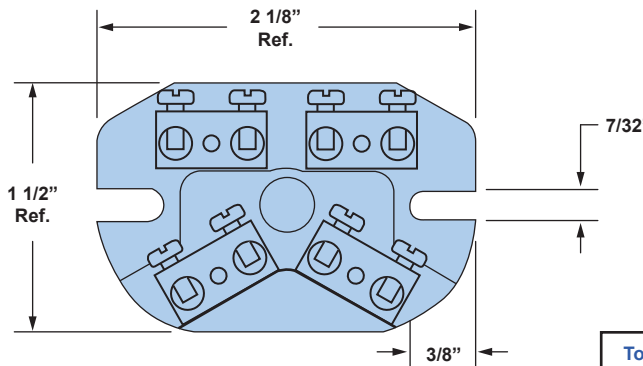
**Large Dome Cover Weatherproof Heads**  
(Use "162 Series" Ceramic Terminal Blocks)  
Max. number of terminals: 6+Ground.

Part Number <sup>1</sup>	Type	Description
D46*	D	Cast Iron



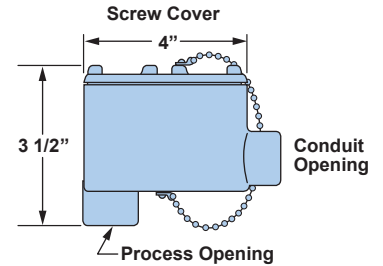
**Weatherproof Aluminum Head**  
(Use "162 Series" Terminal Blocks)  
Max No. of Terminals: 6 + Ground

Part Number <sup>1</sup>	Type	Description
H44*	H	1/2" x 1/2" NPT
H46*	H	1/2" x 3/4" NPT



163 Series Ceramic terminal blocks  
Fits All Heads, must be used for 8g- wire

Part Number	Number of Terminals
CP163B	2
CP163D	4



**Large Explosion Proof Heads**  
(Standard Terminal Block is CP129)  
Max No. of Terminals: 6 + Ground

Part Number <sup>1</sup>	Type	Description
E46*	E	Aluminum
F46*	F	Cast Iron/Aluminum

## To Order Any Head On This Page

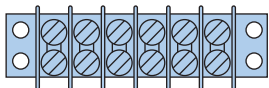
- C 4 6 B**
- Connector block if required.
  - B – 2 Terminals    C – 3 Terminals
  - D – 4 Terminals    F – 6 Terminals
  - Conduit Opening (See table A below)
  - Process Opening (See table A below)
  - Head Type
- If a tapped internal ground screw is required insert a "G" in front of the part number.

**Table A - Connection Sizes** (All heads on this page)

NPT SIZE	ORDER CODES	Available on Head Types	
		PROCESS	CONDUIT
1/2	4	All	All
3/4	6	All except H+P	All
1	8	A B C D E F & R	E & F

### Notes:

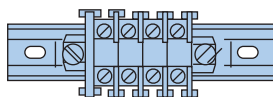
- \* To order heads complete with terminal block add suffix to specify the number of terminals required B=2 terminals, C=3 terminals, etc.
- 1. Unless otherwise noted, all head part numbers shown are for heads with 0.5" NPT process openings and 0.75" NPT conduit openings. See Table A for other available sizes.
- 2. PW series heads may be specially ordered with molded-in terminals. To order insert an "M" before the number of terminals required. Example: PW46MF would have 6 molded-in terminals.
- 3. Type E & F explosion proof heads are approved for Class 1, Groups B, C, & D; Class 2, Groups E, F & G; Class 3, All Groups.
- 4. Type F explosion proof heads have cast iron bodies with aluminum covers.
- 5. Aluminum & Cast Iron heads are available with epoxy coating add an "X" after the type designation. Example: QX46D.
- 6. Some NPT sizes are achieved through the use of reducing bushings.



**CP129 & CP130 Terminal Strips**  
CP129 (3/8" spacing) is standard in E & F type heads.  
CP130 (7/16" spacing) available with compensated terminals is commonly used in junction boxes.

### To Order Specify

- CP130-12-K**
- Type of Optional Compensated Terminals (Available on CP130 only)
  - Number of Terminals (20 max.)
  - Part Number

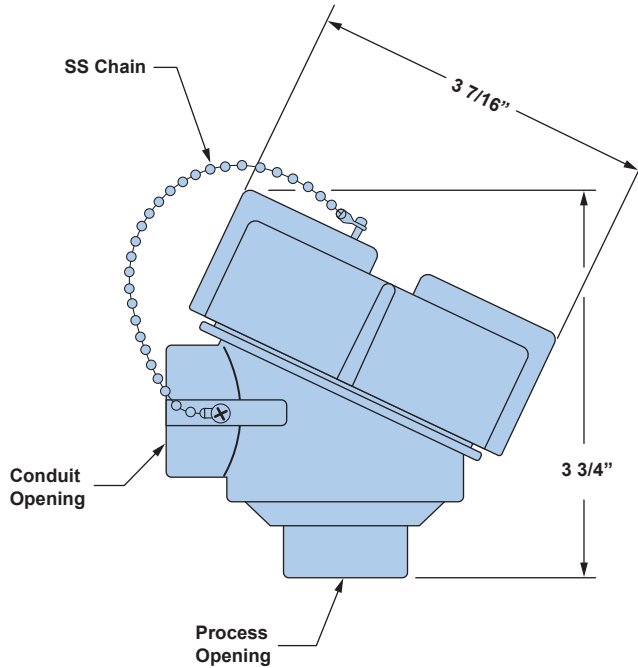


**CP140 Tubular Clamp Type Terminal Strip**  
Commonly used in junction boxes. May be specified as an option for E & F type heads.

### To Order Specify

- CP140-10**
- Number of Terminals
  - Part Number

# TERMINAL HEADS & CONNECTOR BLOCKS



### To Order Specify

- AE-46-D**
- Standard Terminal Block
  - B – 2 Terminal Block (CP162B)
  - C – 3 Terminal Block (CP162C)
  - D – 4 Terminal Block (CP162D)
  - F – 6 Terminal Block (CP162F)
  - Leave blank if no Terminal Block
  - Connection Code (See Table B)
  - Basic Part Number (See Table A)

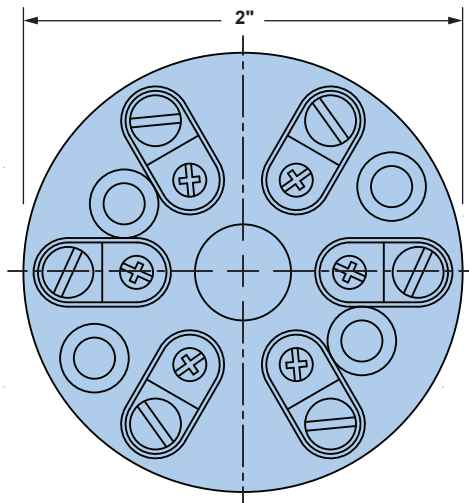
Part Number	Material
AE	Aluminum, Explosion Proof
AEX	Epoxy Coated Aluminum, Explosion Proof
SE	316SS, Explosion Proof

Code	Process Opening	Conduit Opening
44	1/2" NPT	1/2" NPT
45	1/2" NPT	M20 x 1.5
46	1/2" NPT	3/4" NPT
66	3/4" NPT	3/4" NPT

FM/CSA APPROVALS:  
 CLASS 1, DIV. 1, GROUPS B, C & D and  
 Dust Ignitionproof for Class II, Div. 1,  
 Group E, F and G, Class III  
 Type 4X and IP68

**Ex** II 2 G Ex d IIC Gb Ta, IP68  
 II 2 D Ex tb IIIC Db Ta, IP68

IECEX Approvals:  
 Ex d IIC Gb  
 Ex tb IIIC Db



Part Number	Number of Terminals
CP162B	2
CP162C	3
CP162D	4
CP162E	5
CP162F	6

NOTICE - CONFIDENTIAL INFORMATION  
 This document and all information contained herein are the property of Sandelius Instruments Inc. and is furnished in strict confidence. Recipients agree not to duplicate or disclose this document, in whole or part, to others without written permission and shall return this document upon request.

REVISIONS			Sandelius Instruments, Inc.					
NO.	DATE	BY	713.861.1100 www.sandelius.com					
1.			<b>TERMINAL BLOCK</b>					
2.								
3.			DRAWN BY	TJM	SCALE	NTS	MATERIAL	Noted
4.			CHK'D		DATE	2/17/16	DRAWING NUMBER	
5.			TRACED		APP'D		CP163	